

INDIA'S ONLY BACKHOE LOADER TO GUARANTEE BETTER PERFORMANCE & UPTIME

EARTHMASTER SX IV



HIGHEST
PRODUCTIVITY PER Litre
**OR GIVE YOUR
BACKHOE LOADER BACK
GUARANTEED***

48^h
UPTIME
**OR GET ₹ 1000 PER DAY
GUARANTEED***

ENGINEERED BY MAHINDRA FOR SUCCESS

- Mahindra Construction Equipment is a part of the Mahindra Group - a \$19.4 Billion global federation of companies. Standing tall and proud with 2 56 000 employees in over 100 countries across the globe.
- With "Rise" as its governing spirit and backed by decades of manufacturing top-notch agriculture equipment and utility vehicles, the Mahindra Group has now boldly ventured into the construction equipment industry with products that implement breakthrough technology.
- This journey began with the launch of our manufacturing unit in Chakan, Pune. Operating in a large area of 10 000 m², we use state-of-the-art technology and fully automatic robotic welding units to create superior products with an impeccable finish.
- Every single product goes through stringent and thorough quality checks with the implementation of advanced NOVA-C before being rolled out.



AWARDS & RECOGNITION

- 'Emerging Construction Equipment Company' at CIA World Awards 2016
- 'Best Municipal Solution' at Municipalika and Capex 2017
- 'Best Design - Eco Friendly Construction Equipment' at Yellow Dot Award 2017
- 'Innovative Product in Road Construction' at the coveted EPC World Awards 2017
- 'Innovative Product of the Year - 2017' at the prestigious Construction Time awards

MADE FOR INDIA.

ENSURES GUARANTEED SUCCESS.

The designers at Mahindra have taken technology to the next level. Looking at the current scenario, we have made a dramatic leap in the Backhoe Loader category by creating the new EarthMaster SX & VX. They are both engineered specifically to suit Indian-usage patterns and break all norms in the Backhoe Loader category.

With 55 kW (74 HP), a CRDI Mahindra engine, best-in-class fuel efficiency, and optimal backhoe performance, EarthMaster SX & VX will offer you outstanding savings too.

The legacy brand Mahindra came into existence even before India's independence. Given its history of revolutionising the transport industry in India, Mahindra has once again achieved a monumental feat with the EarthMaster. The EarthMaster SX & VX are made in India. While their engines are manufactured in Nagpur, the rest of the machines are made and assembled in our Chakan plant near Pune. These are indigenised machines with world-class aggregates and are created after carrying out an extensive research on Indian customers and their requirements.

The EarthMaster is well-established in India and has 5000+ happy Indian customers since its launch ten years ago. It has greatly helped in building India over the last 10 years as it was made in India, by Indians, and for India.

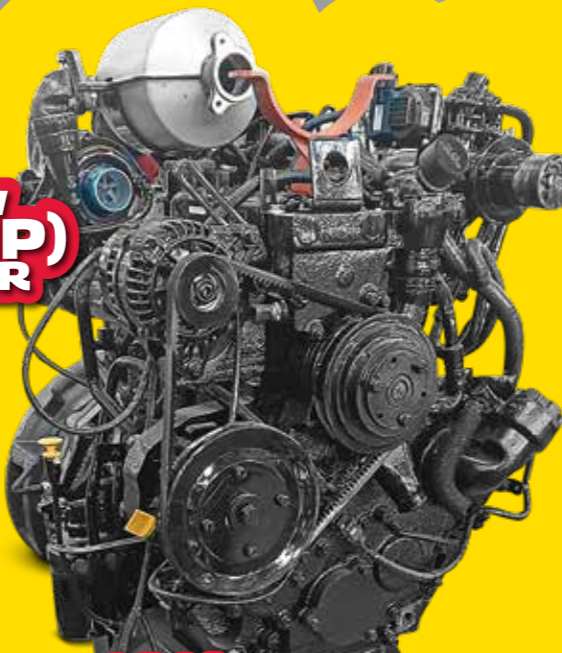


MADE
FOR
INDIA



55 kW
(74 HP)
POWER

13%
MORE
TORQUE

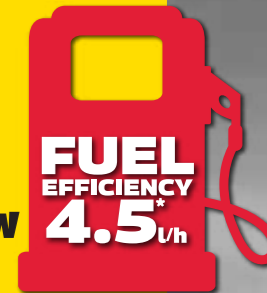


MAHINDRA'S BRAND-NEW
BS IV ENGINE.

DRIVING YOU TOWARDS PROSPERITY.

The internationally-proven Mahindra engine, best-in-class fuel efficiency, and an optimal backhoe performance make the EarthMaster SX the king of savings. And guess what? There's more to it:

- Mahindra has taken its learnings from tractor engines to reduce its fuel efficiency to an incredible 4.5* l/h, impacting the overall savings of customers positively.
- The Mahindra engine brings you assured reliability with a low maintenance cost.
- The EarthMaster SX & VX enjoy a widespread availability of parts in the country.
- Its 55 kW (74HP) power is optimum for high-level backhoe performance.
- Its well-tested Mahindra engine is highly reliable with the lowest overhauling cost.
- Proven and tested expertise in CRDI technology.
- Popular amongst Auto, Commercial Vehicles, Agriculture Machinery, Industrial Machinery and Tractors.
- Manufacturers for many other OEM's.
- 2 Lakh+ NEF series engines working in domestic market.



VX SX

A PLETHORA OF FEATURES.

A PROMISE OF PROSPERITY.

The EarthMaster SX & VX are powerhouses of performance. But what makes them truly special are their wide range of top-class features. From first-rate hydraulics to a world-class operator experience, the EarthMaster SX & VX are everything you ever wanted.

SX IV

BIGGER BUCKETS:

- **High Productivity** with Bigger Loader (1.1 m³) and backhoe buckets (0.27 m³).
- Mahindra Earthmaster backhoe bucket is around **8% bigger** than competition.



SLIDING FRAME:

- **Less Machine Maintenance** with H-frame design which ensures dirt does not accumulate like other machines.
- **Better Grip and Stability** due to its 12-bolt support plate design and balanced weight distribution.



BANANA BOOM:

- **Better life and impact strength** of the boom due to its excavator-like design. The construction is with thick plates at the ends of the boom.
- **More structural strength and rigidity** due to its closed-box section design.
- **Easy to fill Tipper and Trolleys** as its boom design never interferes with the body.



STRUCTURE:

- **Better dig Depth** with 2 mm thicker plates than usual for applications where the strength is needed.
- **More load bearing capacity** to front axle with 63 mm thick beam, helps machine to do heavy work in loader application.
- **Ideal for all-weather condition** like sub-zero temperature in the Himalayas, due to high impact resistant structural Grade of steel (350 C) for all critical components.



HYDRAULICS:

- **Better backhoe speed & performance** due to higher flow-handling capacity and less pressure losses.
- **Better Fuel efficiency** due to less load on engine with lowest hydraulic refills required
- **Lower per-hour maintenance cost** due to 3000 hours hydraulic oil change interval. Leading to higher savings.
- **Improved Performance** with Optimised Hoses and Tubes, higher flow capacity backhoe, loader control valve, and optimised hydraulic circuit to minimise pressure losses which is Ideal for rugged Indian site conditions.



FINAL DRIVE:

- **Reliable Aggregates** which are less prone to failure due to its design which ensures **better lubrication** in all parts even in incline position, **Increasing life of the Final Drive**
- Final drive Consists of 3 Sections - 2 hubs and 1 middle section along with Differential separated by Oil Seals.
- **Proven and oldest** in Indian market with optimised service refill capacity in power train.



CABIN COMFORT

Mahindra believes that the most important part of the machine is the person operating it. That is why, we have worked hard to make operator experience the most comfortable for long hours of work. Operators can store their essentials easily in the machine. The EarthMaster SX & VX have ergonomically designed, methodical cabins, so the operator can focus solely on productivity.

Cabin features:



Coat hanger



Water bottle holder



Mobile Holder



Tinted glass



Cabin fan



Trip meter



CONTROL YOUR BUSINESS

FROM YOUR POCKET

The EarthMaster SX & VX come with the latest Mahindra IMAXX Telematics remote care technology. You can think of it as your personal assistant that updates you with vital information about your vehicle and your business.

Increased Control and Predictive Monitoring

- Vehicle Health Monitoring
- Battery & alternator health monitoring
- Engine temperature monitoring
- Active Diagnostic Trouble Codes

Fuel Level Analysis

Fuel Efficiency Analysis

Vehicle Performance Report

- Engine hour report
- Daily vehicle report
- Hub Report
- BHL Operation Report

Alerts

- Geofence check-in and check-out
- Unscheduled operations
- Stoppages during transit
- Live Location with Address
- Historical location replay
- Nearby service stations

Service reminders

Operator Performance Management



LOWER RUNNING COST. HIGHER PROFIT.

The cost of running for the EarthMaster SX & VX is like no other. Lower than other machines. Here's why:

- **Lowest per-hour service resulting in low maintenance cost.**
- **Increased hydraulic oil change interval with a lower refill capacity.**
- **Economical service parts.**
- **Economical and effective lubricants with lowest per-litre cost.**
- **Low refill capacities.**
- **Higher change interval.**

₹ **LOWEST
COST OF
RUNNING**

SX_{IV}



MANY APPLICATIONS. SAME RESULT: PROFIT.



REACH & COVERAGE

Mahindra Construction Equipment dealers understand that this is a business about good after-sales support for the machines. We aim for customer satisfaction every time and understand that this means supporting the machine throughout its life.

Our strategy is to deliver the best customer support in the industry, putting the customer at the very heart of our business. In addition, Mahindra Construction Equipment and our dealerships aim to ensure minimum downtime of your machines. Here's how:

50+ Dealers across India

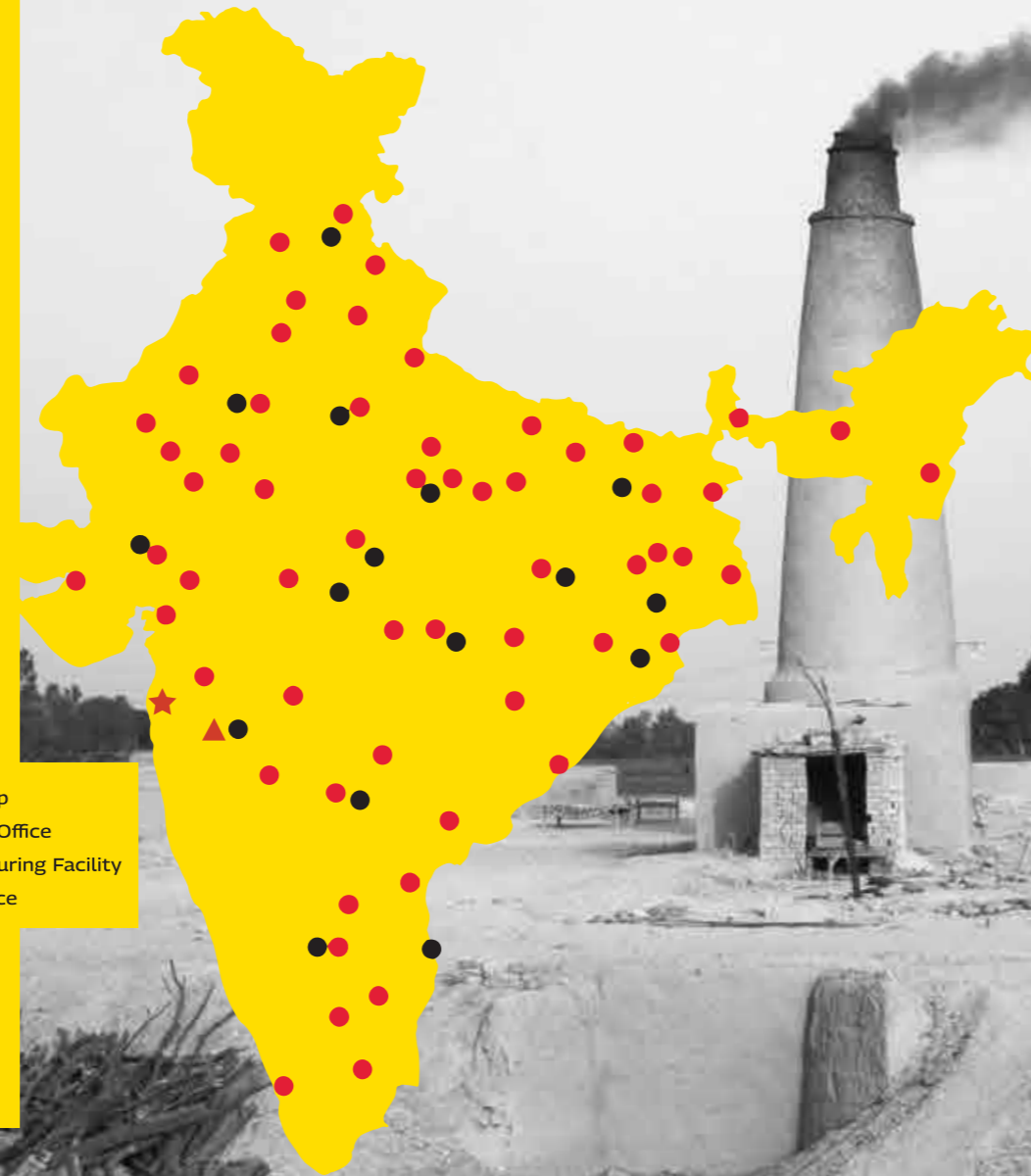
200+ Sale Executives

300+ Trained Service Engineers

60+ Service Vans

- Dealership
- Regional Office
- ▲ Manufacturing Facility
- ★ Head Office

SX IV

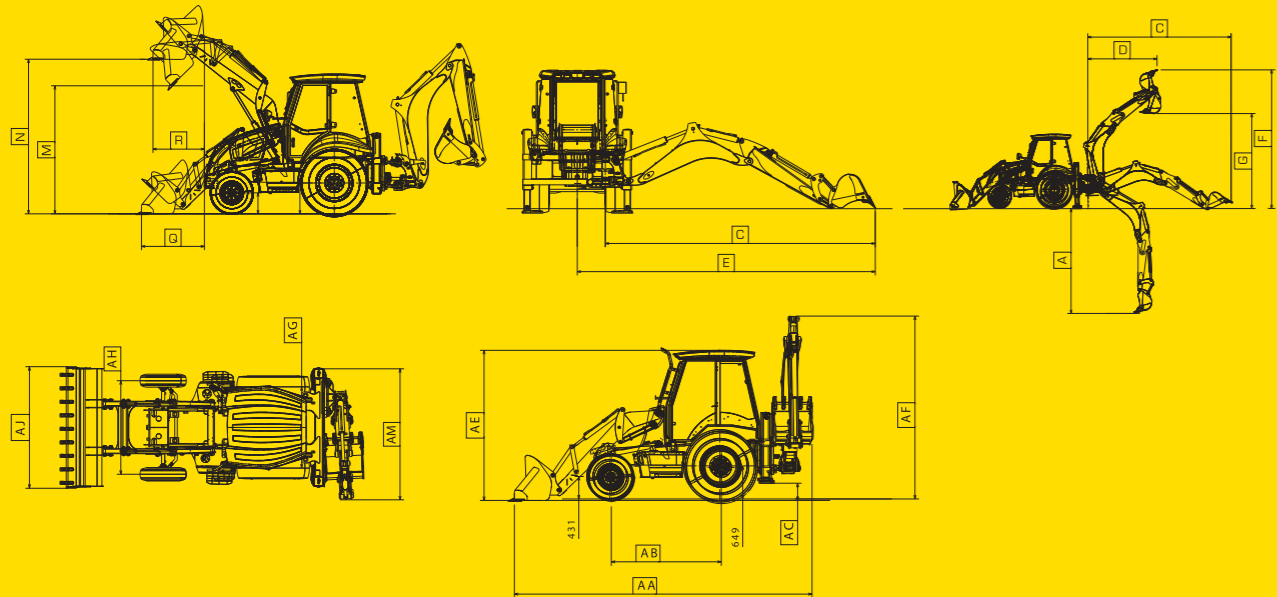


SERVICE & SUPPORT

To deliver our promise of world-class customer support, Mahindra Construction Equipment has continued to invest in a comprehensive network of dealers who deliver all the support you need, right at your doorstep. Services include Saral Seva, Mahindra Genuine Services, Mahindra Genuine Parts, Mahindra Lubricants, and Mahindra Attachments, among several others.



TECHNICAL SPECIFICATIONS



EARTHMASTER

VX

Mahindra EarthMaster VX offers specially designed joysticks that are not just easy to use but also help minimise fatigue, thus allowing operators to work for longer hours.

- Joystick-operated effortless power controls.
- Minimum skill required.
- Enables less fatigue, longer working hours and enhanced productivity.



FEATURES

Excavator Controls	Mechanical Levers
Instrument Cluster	Analog
	IMAXX - GPS, GPRS base vehicle health monitoring & tracking system
Warranty	1 year* Standard Warranty, Unlimited Hours
Banana Boom Design	Yes
180°C Revolving Seats with Arm rest and Seat Belts	Yes
Mobile Charger	Yes
Storage Box	Yes

ENGINE

VNEF 3.5 L 55 kW (74 HP) BSIV	Turbocharged Intercooled
Number of Cylinders	4
Displacement	3532 cm ³ (cubic centimetre)
Gross Power	55 kW (74hp) @ 2200 r/min
Peak Gross Torque	345 Nm @ 1200-1500 r/min

HYDRAULICS

System Type and Pressure	Open Centre: 25 MPa (3675 psi)
Pump Type	Fixed displacement, Gear Pump, 52 cm ³ (cubic centimetre)
Pump Delivery	117 l/min @ 2250 r/min
Control Valves (Backhoe Loader)	Sectional Valves (Sandwich Type, Individually Replaceable)

TRANSMISSION

Type: Four Speed (4 Forward, 4 Reverse), Low Noise, Two Wheel Drive (2 WD), Synchro Shuttle Transmission with Electrically Operated Reversing Shuttle and Torque Converter

AXLES

Rear Axle: Rigidly mounted drive axle, with outbound planetary final drives, driven by short drive shaft.
Front Axle: Centrally pivoted, non-driven unbalanced type axle, with total oscillation of 16°C, with remote greasing facility for the main pin.

BRAKES

Service Brakes: Hydraulically actuated, self adjusting, maintenance free, oil immersed multi-disc, on the rear axle, operated by independent foot pedals, joined together for normal operation.
Parking Brakes: Hand operated mechanically actuated caliper type brake

ELECTRICALS

Dust proof switches, ignition controls for engine start and stop, horn and reverse alarm, water and dust proof electrical connectors. 100Ah, 12V, Low maintenance battery. Alternator: 90 ampere

CABIN

Ergonomically designed cab with contemporary styling, Excellent operator comfort, day and night time visibility, Rear view mirror, multiple storage options, two-door access, Sliding rear window, stowable doors and an integrated tool box. Cabin frame built with sturdy tubular sections and protected with CED technology for longer rust protection. Fully adjustable premium operator seat with safety belt. Excellent leg space, conveniently positioned control levers and pedals. Low line curved hood to enhance operator visibility. ROPS, FOPS Compliance - Yes

STEERING

Front wheel, Hydraulic Power Steering, with priority function and pressure relief valve. Emergency steering in case of Power Failure.

OPERATOR INFORMATION

Front Cluster: With Speedometer, Turn and Head Light Signals indicating r/min, kilometre Run, Hours Run, Fuel Level, Temperature.

BACKHOE PERFORMANCE

Maximum Dig Depth	A	4959 mm*
Reach at Ground Level to Slew Centre	C	5794 mm
Reach at Full height to Slew Centre	D	2774 mm
Maximum Working Height	F	6043 mm*
Maximum Load Over Height	G	4131 mm*
Side Reach to the Centre of the Machine	E	6324 mm
Excavator Pivot Mechanism		Side Shift
BackHoe Bucket Tearout Force		5199 kg
BackHoe Arm Tearout Force		3182 kg
Lift Capacity to Bucket Pivot at Full Reach (no bucket fitted) (SAE J31)		1449 kg
Backhoe Bucket Capacity		0.27 m ³ (cubic metre)

LOADER PERFORMANCE

Dump Height	M	2708 mm
Load Over Height	N	3253 mm
Reach at Ground	Q	1350 mm
Maximum Reach at Full Height	R	1115 mm
Loader Bucket Breakout Force		6243 kg
Loader Arm Breakout Force		5594 kg
Loader Lift Capacity at full height		3428 kg
Loader Bucket Capacity		1.1 m ³ (cubic metre), Also available in 6-in-1 bucket

SPEED (GEAR - F/R)

	HD	IND
1st F/R	5.43 km/h	5.66 km/h
2nd F/R	8.84 km/h	9.11km/h
3rd F/R	19.20 km/h	20.00 km/h
4th F/R	38.37 km/h	39.97 km/h

SERVICE CAPACITIES

	SYSTEM CAPACITIES	SERVICE REPLACEMENT CAPACITIES
Hydraulic Oil Circuit Capacity	100 litre	50 litre
Fuel Tank	140 litre	140 litre
Engine Coolant	17 litre	17 litre
Engine Oil	13.7 litre	13 litre
Transmission 2WD	19.20 litre	10.20 litre
Transmission 4WD	22 litre	12 litre
Rear Axle	17.10 litre	17.10 litre

TYRES

	OPTIONAL (HEAVY DUTY)	STANDARD (TRACTION) (INDUSTRIAL)
Front - 2W Drive	9.00 -16 -16 PR	9.00 -16-16 PR
Front - 4W Drive	12.5 /80 - 18 12 PR	12.5 /80 - 18 12 PR
Rear	14.00 - 25 20 PR/12PR	16.9 - 28 12 PR

TURNING RADIUS

Outside Bucket (Inner Wheels Braked)	4494 mm
Outside Wheels (Inner Wheels Braked)	3091 mm
Outside Bucket (Inner Wheels Not Braked)	5697 mm
Outside Wheels (Inner Wheels Not Braked)	4464 mm

SHIPPING WEIGHT OF VEHICLE

Shipping weight of the Machine with Industrial Tyres	7430 kg
Shipping weight of Machine with HD Tyre	7584 kg

Technical specifications, features are subject to change without prior notice. Images used are for representative purpose only. Accessories shown may not be a part of the standard product. Actual colors may vary. E&O.E. *Standard exclusions apply. For further details on warranty, please visit your nearest dealer. *According to government approved independent agency, under manufacturer standard **PER/VEH/21 certified at 1450 r/min.** *Value measured under specific measuring conditions. *Guarantee is applicable on SX only. Please visit www.mahindraconstructionequipment.com for more information on guarantees.





DEALER NAME

Mahindra Construction Equipment

Mahindra & Mahindra [CE Business]

Plot No #A-1/1 , Chakan Industrial Area, Phase-IV, Village Nigoje Chakan,

Taluka-Khed, Dist: Pune - 410501, Maharashtra, India.

Toll Free Helpline: 1800 547 0086, Website: www.MahindraConstructionEquipment.com

Email: mce.marketing@mahindra.com